

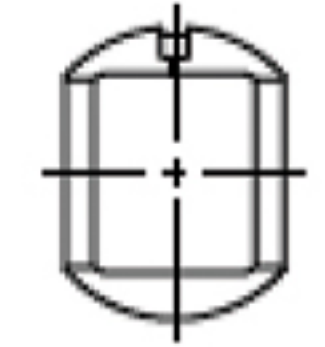
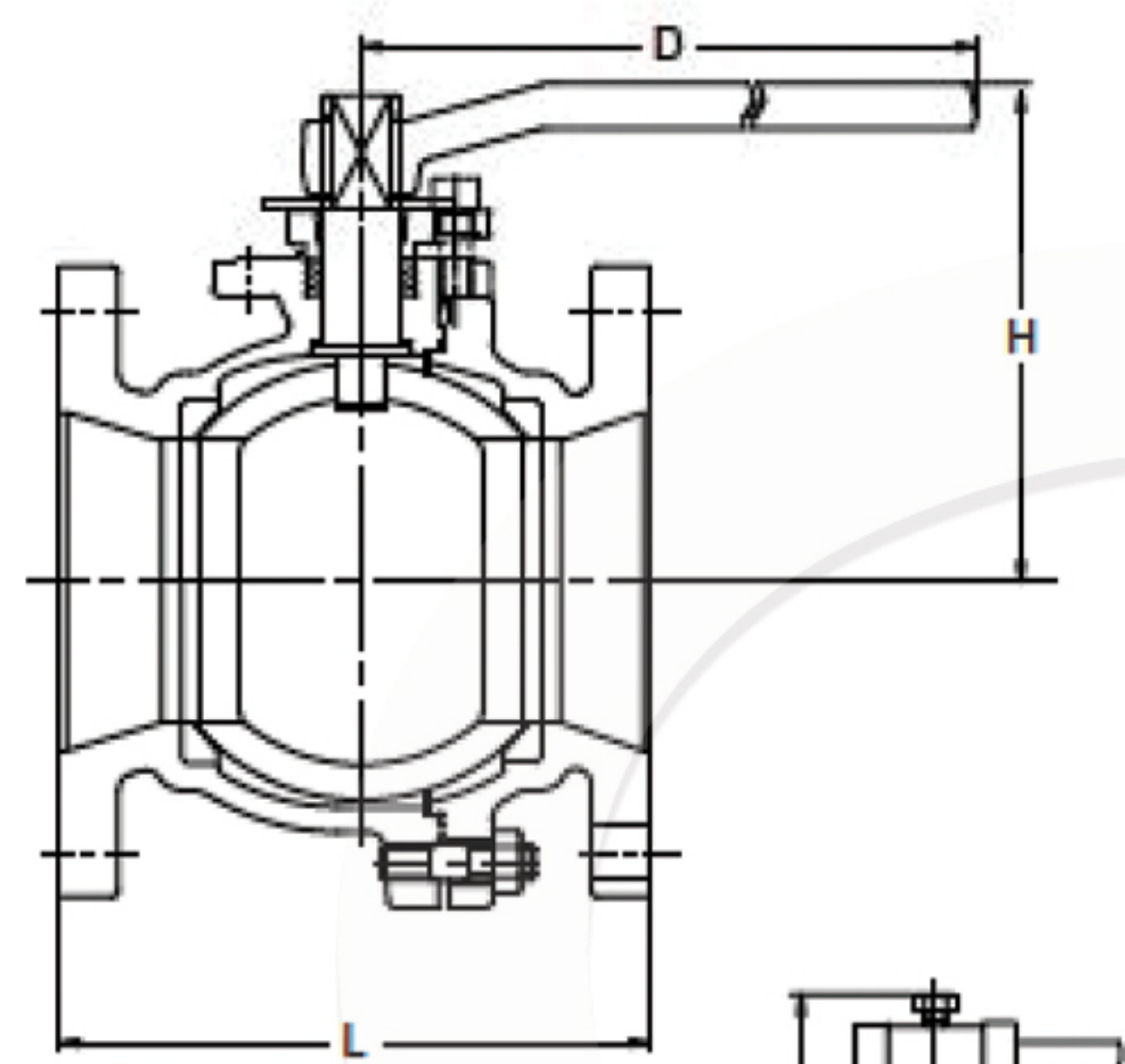
10K

IRON BALL VALVE (Reduced bore)

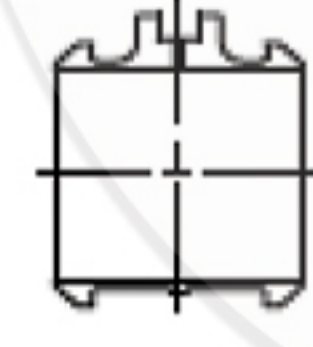
Fig. 10FCTR



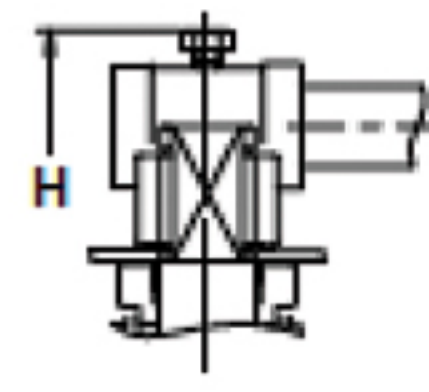
Blowout-proof stem



SIZE 6 ONLY



SIZE 10 ONLY



SIZE 8 & 10

Materials

Parts	Material	JIS Spec.
Body	Cast Iron	FC200
Body cap	Cast Iron	FC200
Stem	Stainless Steel	SUS403
Ball	Stainless Steel	SCS13A or SUS304 or SUS304TP
Grand packing	PTFE	
Gasket	PTFE	
Ball Seat	PTFE	
Cap bolt	Carbon Steel	
Handle	Ductile Iron	FCD400

Design Specifications

Items	
Shell wall thickness and general valve design	KITZ Standard
Face-to-face dimensions End-to-end dimensions*	JIS B2002
End flange dimensions Gasket contact facing	JIS B2239 10K

*Nominal size 5, shall not be in accordance with JIS B2002

For Pressure-Temperature Ratings, refer to individual catalog.

Dimensions

Valve Size	B	5	6	8	10	mm
	A	125	150	200	250	
L Face-to-face		250	270	290	330	
H Height		200	220	295	355	
D Handle		460	460	1000	1500	

*No JIS Mark